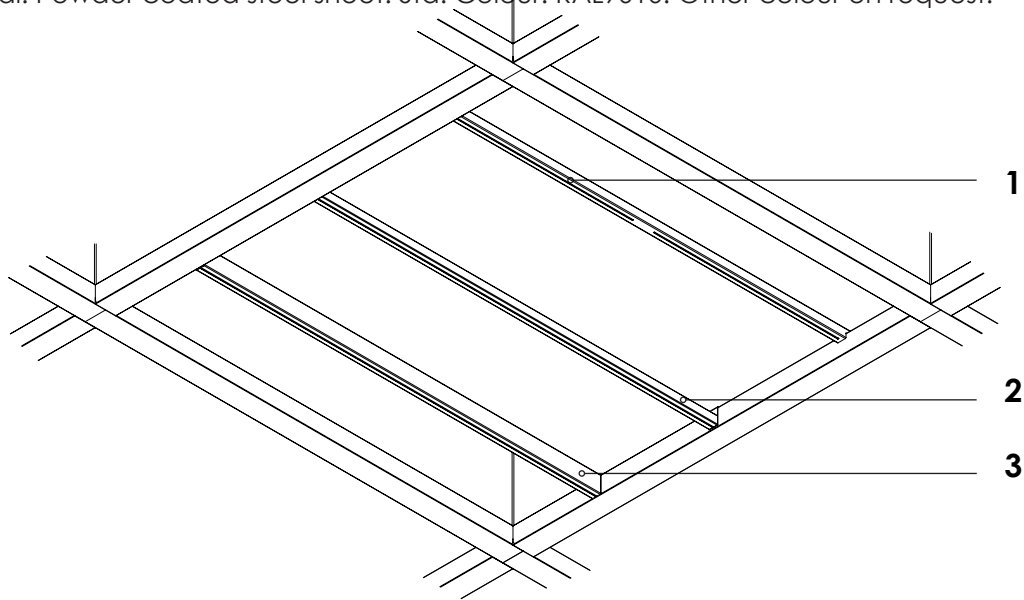


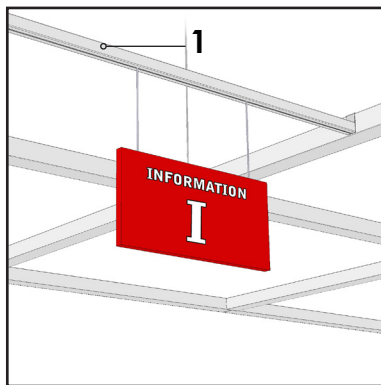
DECORAILS

Decorails can be used as a multifunctional suspension profiles for all type of visual merchandising. Suspending signs, information banners and price tags are some examples of the use of Decorails in the Fixpoint open grid ceiling system. The open gap in the rail allow the use of sliding hooks for flexible suspension and positioning. There are three different types of decorails as below.

Material: Powder coated steel sheet. Std. Colour: RAL9010. Other colour on request.

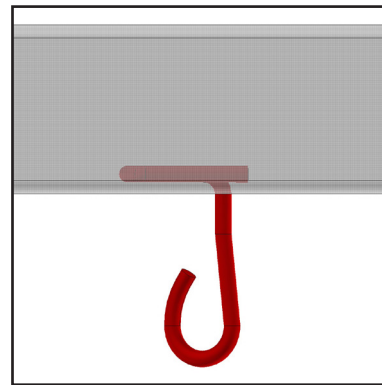


SIGNS WITH INFORMATION



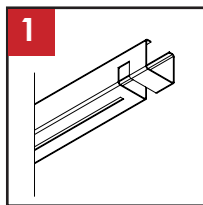
SIGNS WITH INFORMATION can be suspended in the decorail profiles from a sliding hook 06-028.

SLIDING HOOK 06-028 FOR DECORAIL

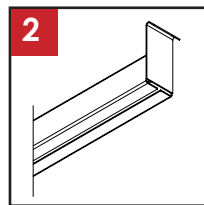


SLIDING HOOK is dropped down from above in the decorail and can be positioned along the rail.

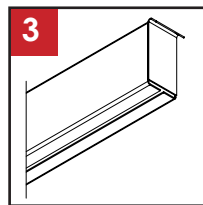
SELECTION OF DECORAIL AND HOOKS



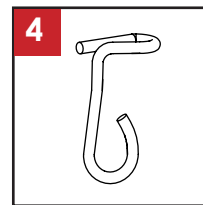
07-109
MODULE 2000x2000 MM
07-109/18
MODULE 1800x1800 MM
07-109/15
MODULE 1500x1500 MM



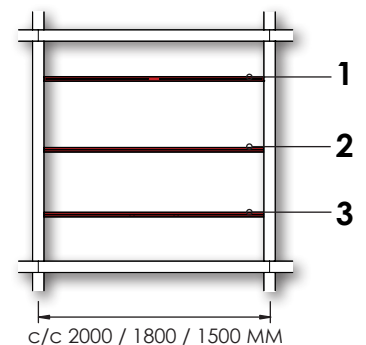
04-106
MODULE 2000x2000 MM
04-106/18
MODULE 1800x1800 MM
04-106/15
MODULE 1500x1500 MM



05-078
MODULE 2000x2000 MM
05-078/18
MODULE 1800x1800 MM
05-078/15
MODULE 1500x1500 MM



06-028
SLIDING HOOK



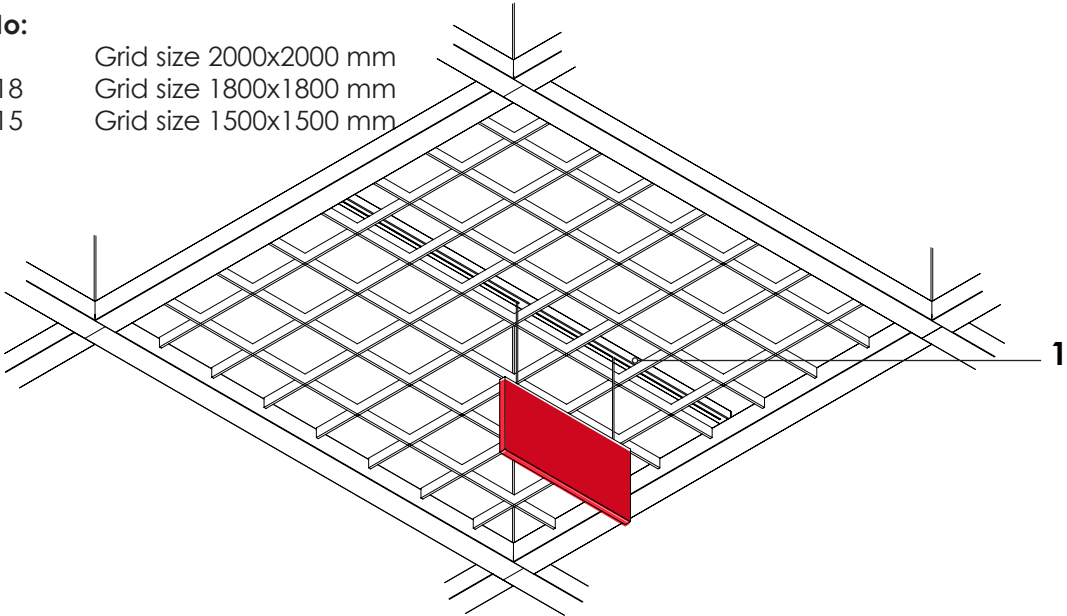
COMBINATION EXAMPLES:

inVIS DECORAIL

Decorails can be used as a multifunctional suspension profiles for all type of visual merchandising. Suspending signs, information banners and price tags are some examples of the use of Decorails in the Fixpoint open grid ceiling system. The open gap in the rail allow the use of sliding hooks for flexible suspension and positioning.

inVIS Decorail is specially adapted to be used above an open aluminium panel fixed in the Fixpoint open grid ceiling system. Material: Powder coated steel sheet. Std. Colour: RAL9010. Other colour on request.

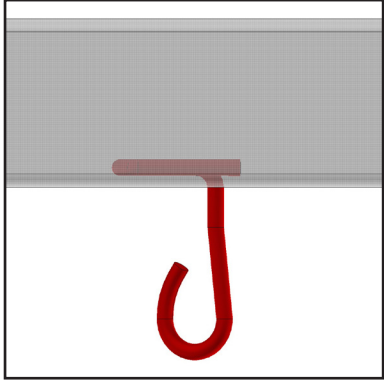
Order No:	
09-002	Grid size 2000x2000 mm
09-002-18	Grid size 1800x1800 mm
09-002-15	Grid size 1500x1500 mm



inVIS DECORAIL



SLIDING HOOK 06-028 FOR DECORAIL



SLIDING HOOK
Is dropped down from above in the decorail and can be positioned along the rail.

MEASUREMENTS:

1.

Dimensions:
Profile: L1925xB43x39 mm

