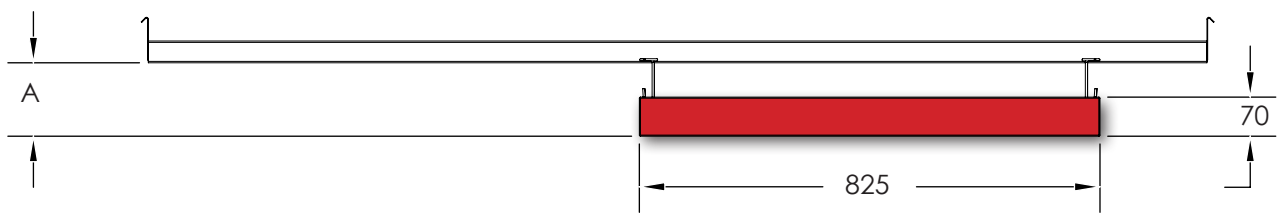
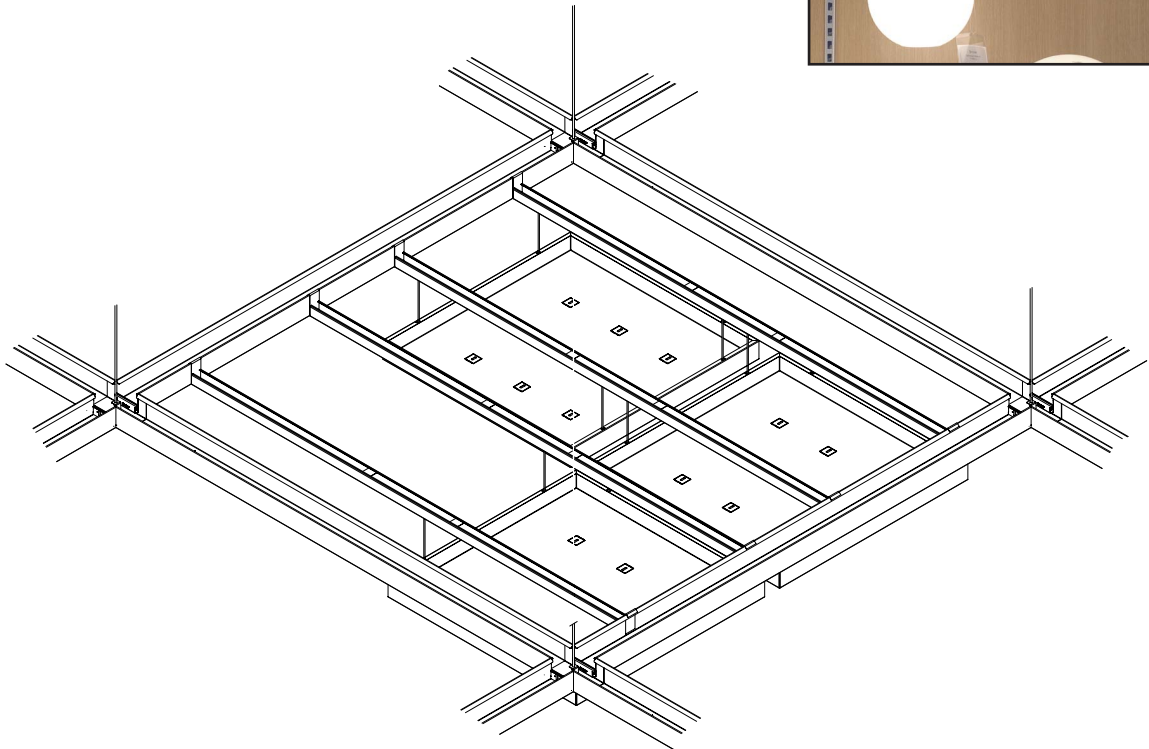
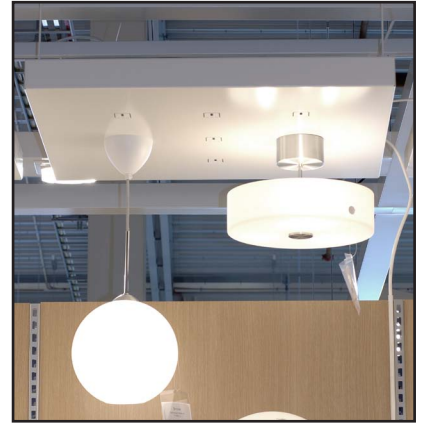


LAMP DISPLAY PLAFOND - MULTI 825x225 MM

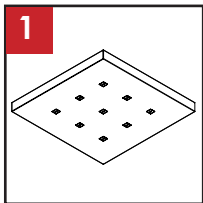
The display plafond Multi is a very useful product in shop areas such as lamp departments. Up to 9 lightfixtures can be suspended from the bendable flaps with an S-hook 06-029. Maximum load/plafond: 10 kg.

With two decorails (07-109 or 04-106) up to 2 plafonds can be suspended.

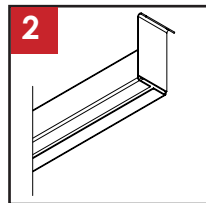
When ordering, please specify measurement [A] as below:



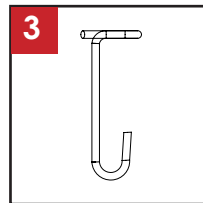
MULTI-PLAFOND & SUSPENSION KIT



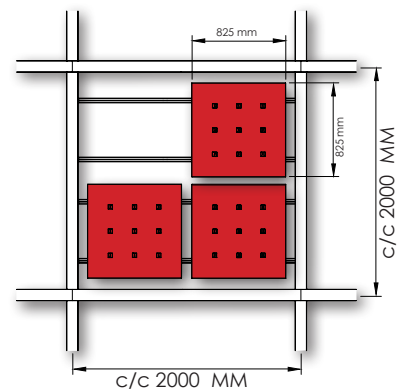
03-112 PLAFOND
[825x825 mm]



04-106 DECORAIL
For module 2000x2000



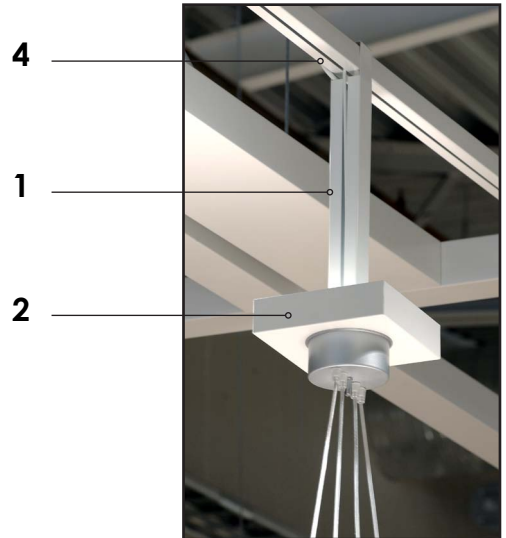
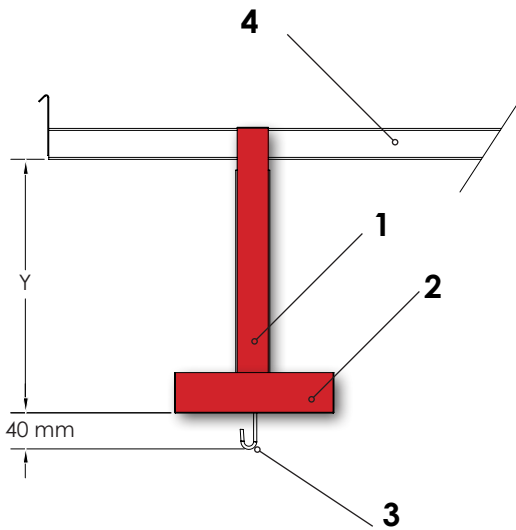
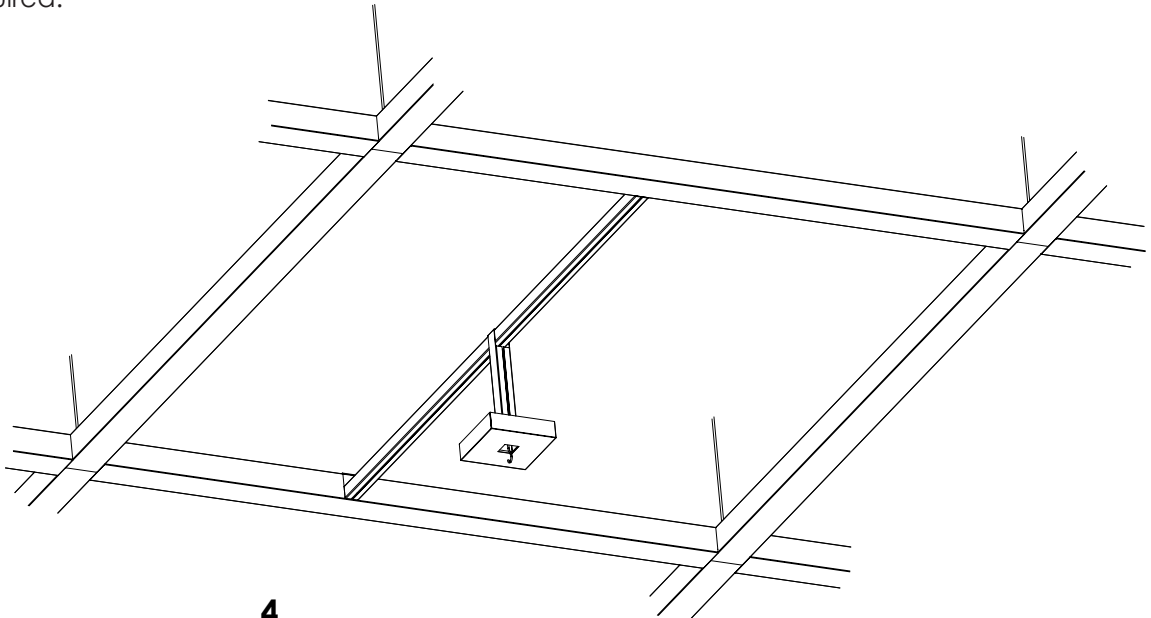
1150-(X) PENDENT HOOK
X = Length in mm.



COMBINATION EXAMPLES:

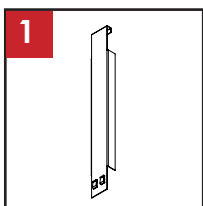
LAMP DISPLAY PLAFOND - SINGLE

Display plafond Single is useful in shop areas where you want to expose a single light fixture in the retail environment. The light fixture is suspended on a pendent hook [3]. Power supply cables are hidden inside the cover profile [02-016]. To suspend the plafond a decorail 04-106 or 07-109 is required.

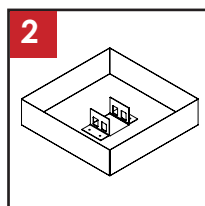


COMBINATION EXAMPLES:

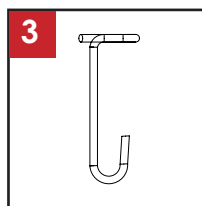
SINGLE-PLAFOND & SUSPENSION KIT



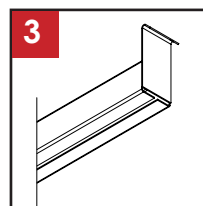
02-016-(Y) Cover
Y = Length in mm.



02-022
Display plafond
L200xB200xH50 mm.



1150-(X) PENDENTHOOK
X = (Y + 40 mm)



04-106 DECORAIL