

## OPEN CELL ALUMINIUM GRID PANEL FOR FIXPOINT CEILING SYSTEM

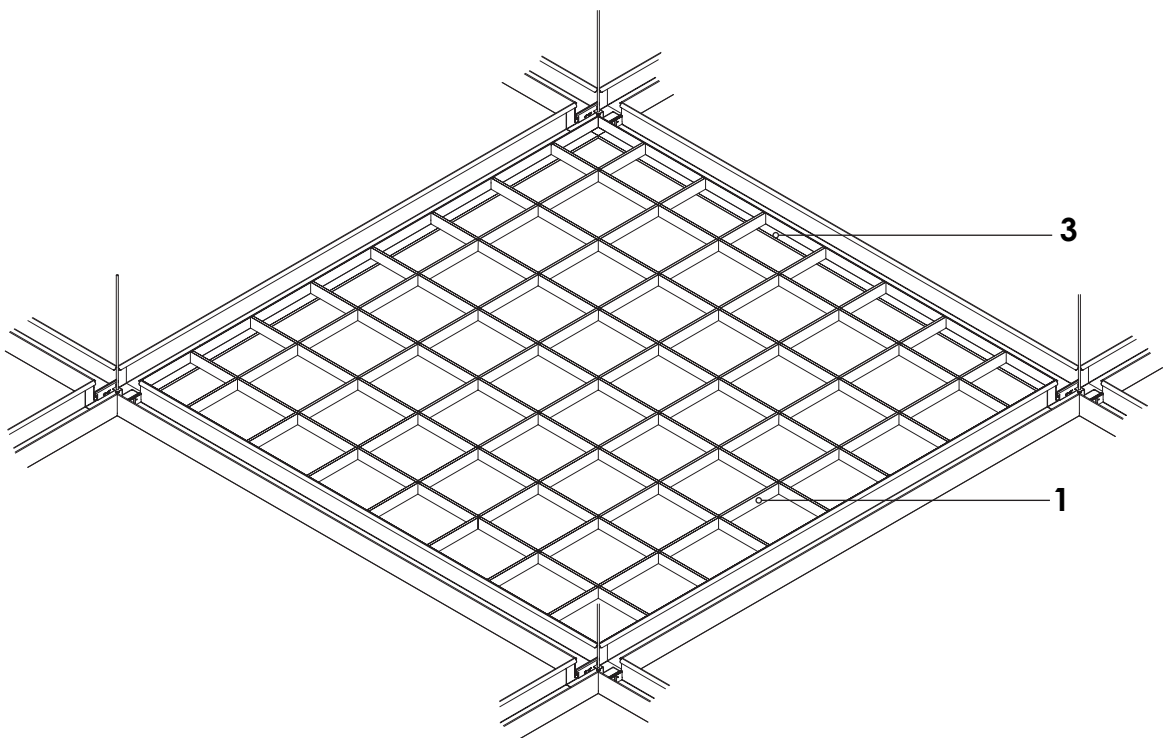
Material: Pre-coated 0,5 mm aluminium folded into U-shaped profiles.  
 Cell blade width = 10,0 mm , Height = 40 mm. Colour: white.  
 Cell size from 50x50 to 250x250 mm. Panel size: 1900x1900, 1700x1700 mm.

### Order No. - Alu. panel:

06-037 Grid size 2000x2000 mm  
 06-037-18 Grid size 1800x1800 mm

### Order No. - Z-ledge:

06-036 Grid size 2000x2000 mm  
 06-036-18 Grid size 1800x1800 mm



COMBINATION EXAMPLES:

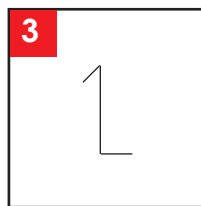
## OPEN CELL ALUMINIUM PANEL AND ACCESSORIES



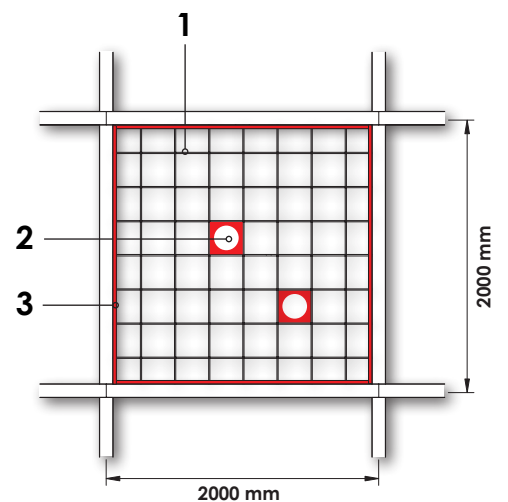
**06-037** Open Cell Panel for grid up to 2000x2000.



**Downlight box**



**06-036** Z- Ledge 1896 mm (Req. 4 pcs / module)



## OPEN CELL ALUMINIUM GRID PANEL FOR FIXPOINT CEILING SYSTEM

Material: Pre-coated 0,5 mm aluminium folded into U-shaped profiles.  
Cell blade width = 10,0 mm , Height = 40 mm. Colour: white  
Cell size from 50x50 to 250x250 mm. Total panel size: 1900x1900 mm

Panel is suspended without Z-ledge in grid using punched hook in the profiles.

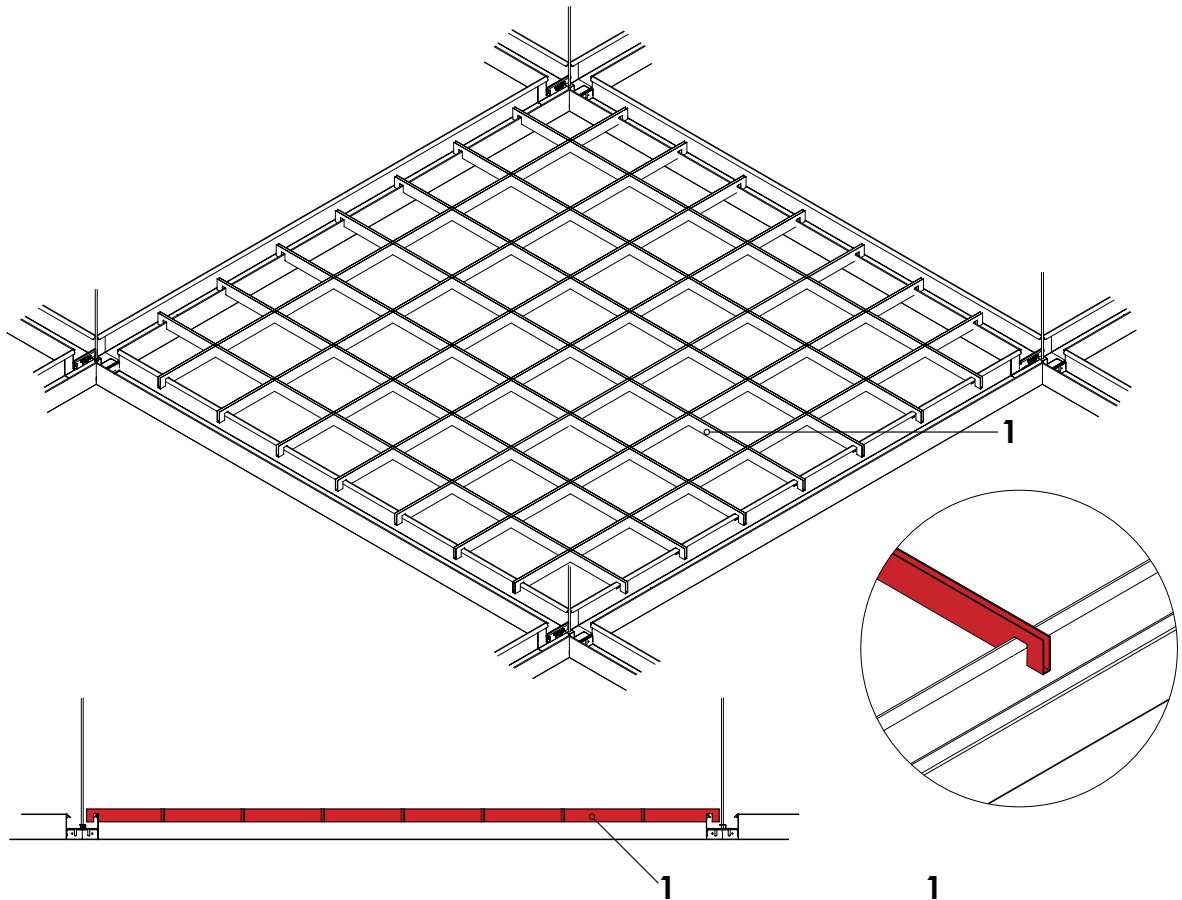
### Order No.:

06-037H

Grid size 2000x2000 mm

06-037H-18

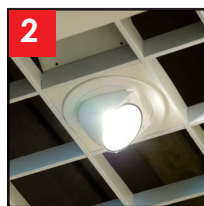
Grid size 1800x1800 mm



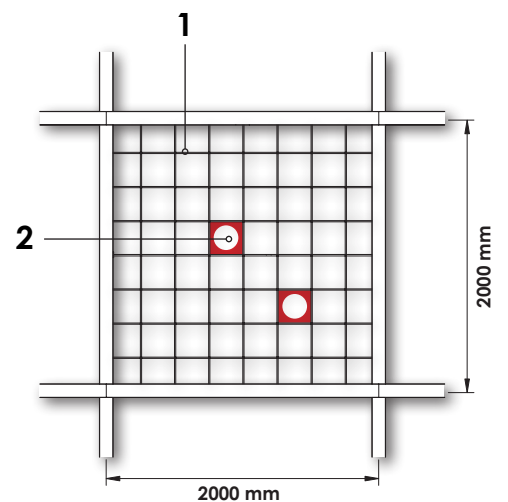
## OPEN CELL ALUMINIUM PANEL AND ACCESSORIES



06-037H Open Panel  
for grid  
up to 2000x2000.



Downlight box



COMBINATION EXAMPLES: