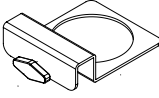
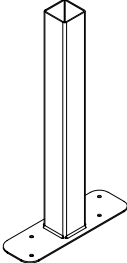

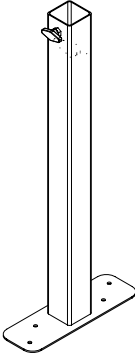
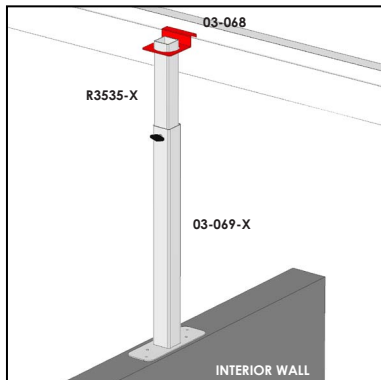


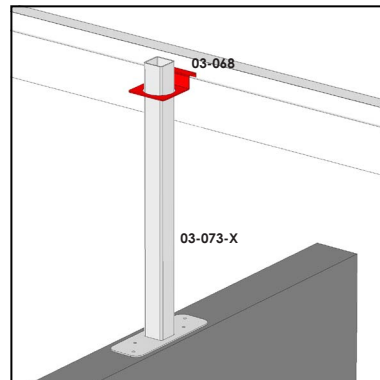
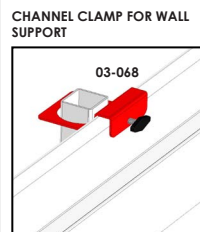
# WALL SUPPORT SYSTEMS - COMBINATION GUIDE

PICTURE	DESCRIPTION	DIMENSIONS [MM]	ART NO.
	<b>CHANNEL CLAMP FOR W. SUPPORT</b>	L: 1983 MM W: 43 MM H: 39 MM	03-068
	<b>WALL SUPPORT 35X35 MM</b>	L: 188 MM W: 60 H : X in mm.	03-073-X
	<b>SQUARE PIPE 35X35 MM</b> Square pipe to be combined with telescopic wall support 03-069-X.	L: 188 MM W: 60 H : X in mm.	R3535-X
	<b>TELESCOPIC WALL SUPPORT 40X40 MM</b>	L: 188 MM W: 60 H : X in mm.	03-069-X

## QUICK GUIDELINES:



**TELESCOPIC WALL SUPPORT**  
Combination example.



**WALL SUPPORT - FIXED LENGTH**  
Combination example.