



## tracky™ spotlight adapter

Magnetic spotlight adapter for mounting the 3-phase universal adapter fitted spotlights to metal grid ceilings.

Mounting is very easy done directly on the profile edge using the four strong neodymium magnets with permanent traction.

Power supply with 3.0 m earthed cable and plug is included.

For usage with Kaleidoscope ceiling – and lighting profiles made of steel with profile dimensions 100 × 80 or 70 × 50 mm.

Maximum load from spotlight: 2,5 kg.

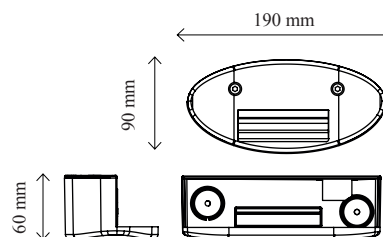
Adapter can also be integrated and used into the T-profile ceiling system and open aluminum grid.

Design and patent protected.

**Material**  
**Installation**  
**Socket**  
**Nominal Voltage**  
**Form protection**  
**Weight**

Plastic  
 fixPOiNT / prioGRID profile  
 C13 (IEC type)  
 230/240 V, 50 Hz  
 IP 20, Class I, CE-approved  
 0,33 kg

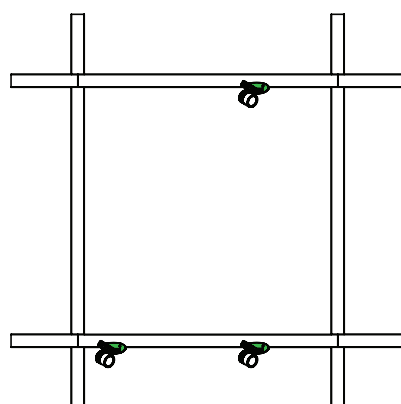
**Dimensions [mm]**



**Colours**



**Easy and flexible installation on grid**



Item No.	Description	Painting colour
030-001-01-A	tracky™ spotlight adaptor, White	White
030-001-02-A	tracky™ spotlight adaptor, Grey	Grey
030-001-03-A	tracky™ spotlight adaptor, Black	Black
031-001-01	3,0 m x1,0 mm <sup>2</sup> kabel, IEC plug/Shucko plug, White	White
031-001-03	3,0 m x1,0 mm <sup>2</sup> kabel, IEC plug/Shucko plug, Black	Black
031-002-03	3,0 m x1,0 mm <sup>2</sup> kabel, IEC plug/UK plug, Black.	Black

*Caleidoscope*