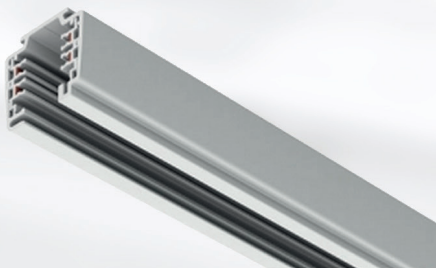


Caleidoscope[®]

unipro[®]

High efficient quality lighting track system and adapters for retail lighting solutions



Lighting tracks



Installation accessories



Adapters

unipro - intelligent solutions for lighting

unipro® lighting track solution is an ideal choice for lighting in public and commercial buildings, like office premises, shops, trade centres and museums. High quality Unipro lighting tracks are versatile, offering flexibility in sizing, placement and fixture styles, which allows putting the light exactly where it is needed.

unipro® lighting track system includes 3-circuit lighting tracks and adapters as well as a wide range of installation accessories - everything that is needed for a smart solution. Due to the universality and the modular structure of the system it is easy to extend and adapt to various customer needs.

unipro® lighting tracks and all the components are tested and approved by SGS Fimko, according to EN 60570 and EN 60598

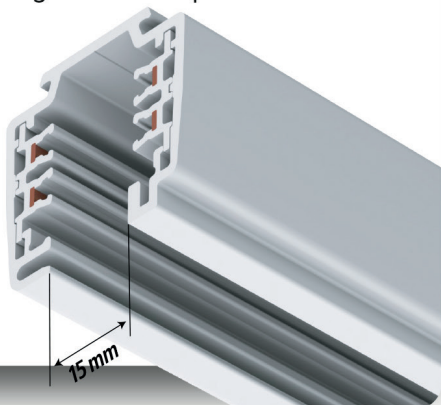


Caleidoscope®
ENERGY EFFICIENT RETAIL LIGHTING SOLUTIONS

Caleidoscope Systems AB
Östra Sandgatan 14
252 27 Helsingborg
Tel 042 - 311 18 10
Email sales@caleidoscope.se
Internet www.caleidoscope.se

Universal lighting track

unipro® lighting tracks' design makes it possible to use the most common 3-circuit universal lighting fixture adapters on tracks.



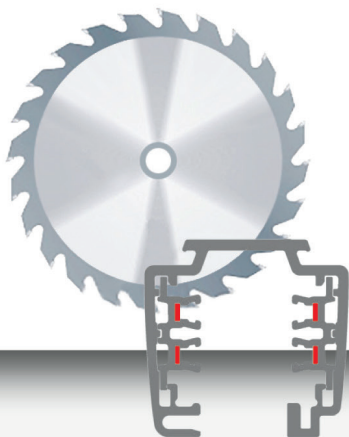
Universal adapter

unipro® A75 adapter is universal and compatible with Unipro lighting tracks as well as the most common 3-circuit lighting tracks.



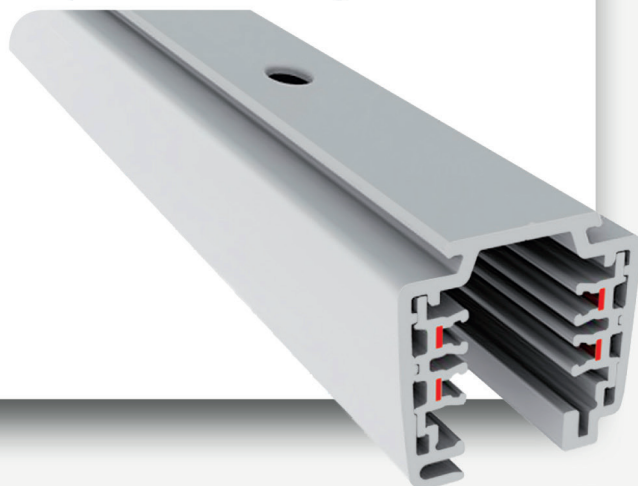
Easy to cut

unipro® lighting tracks can be easily cut to length on-site by hand tools. There is no need to bend or tool power conductors after cutting.



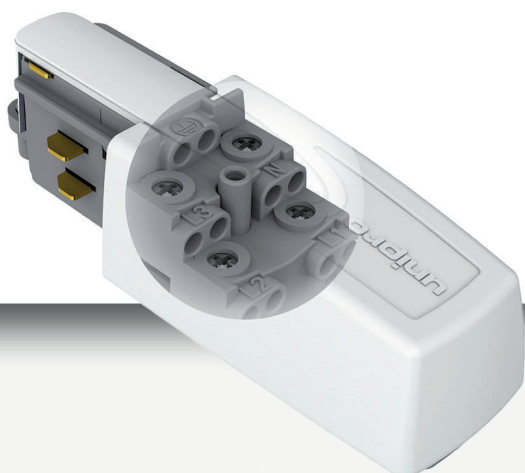
Easy to install

unipro® lighting tracks have pre-cut holes on the top for surface mounting.



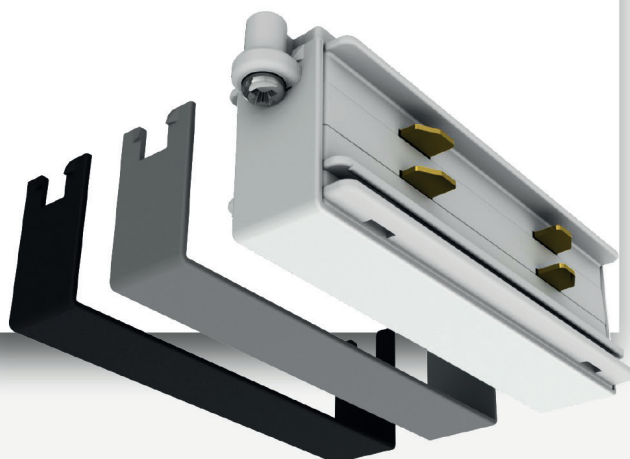
Easy to connect

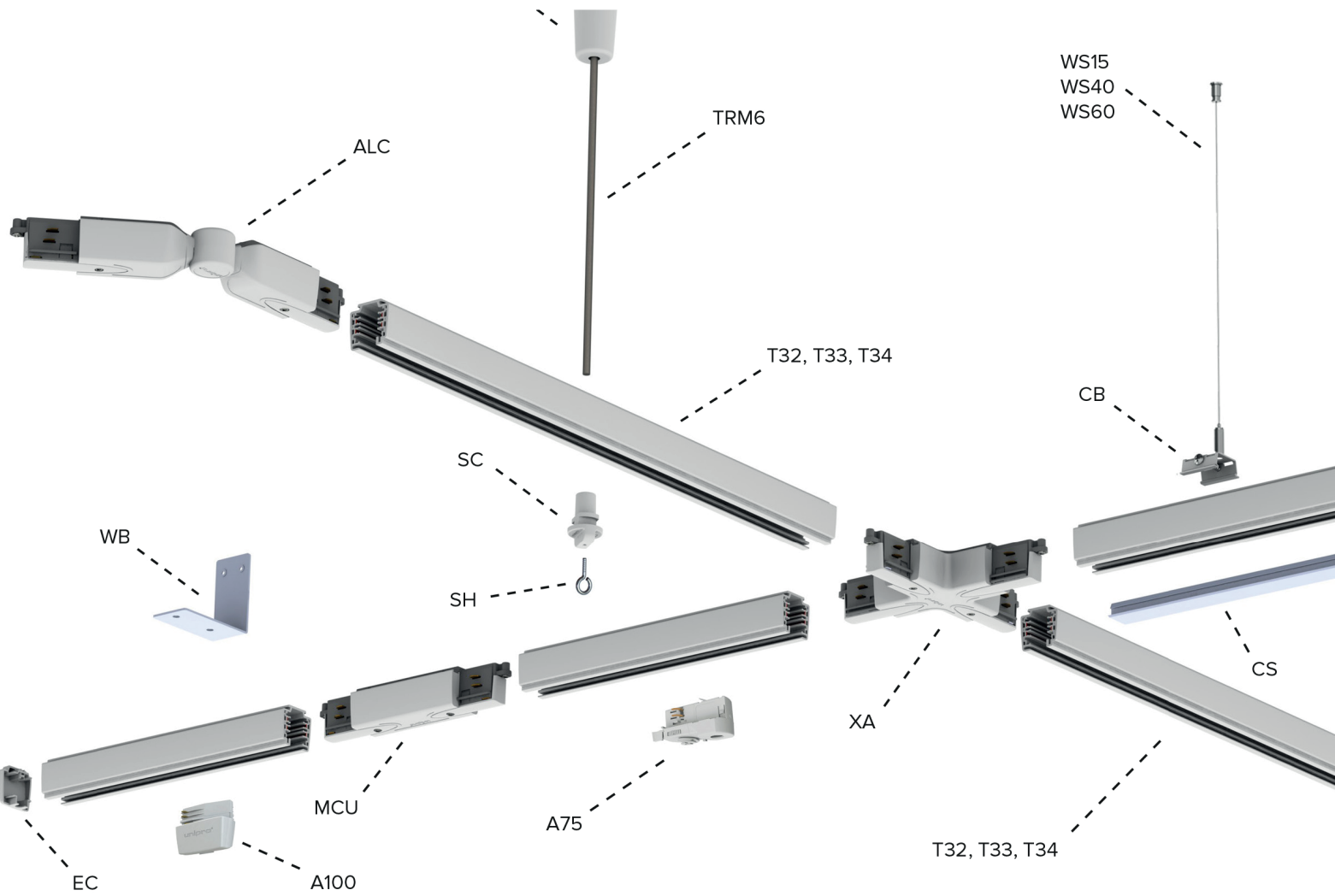
unipro® power supply units have reliable and easy-to-use screw terminals on them to enable easy and smooth connecting of both stranded and solid wires of size 1,5mm² – 2,5mm².



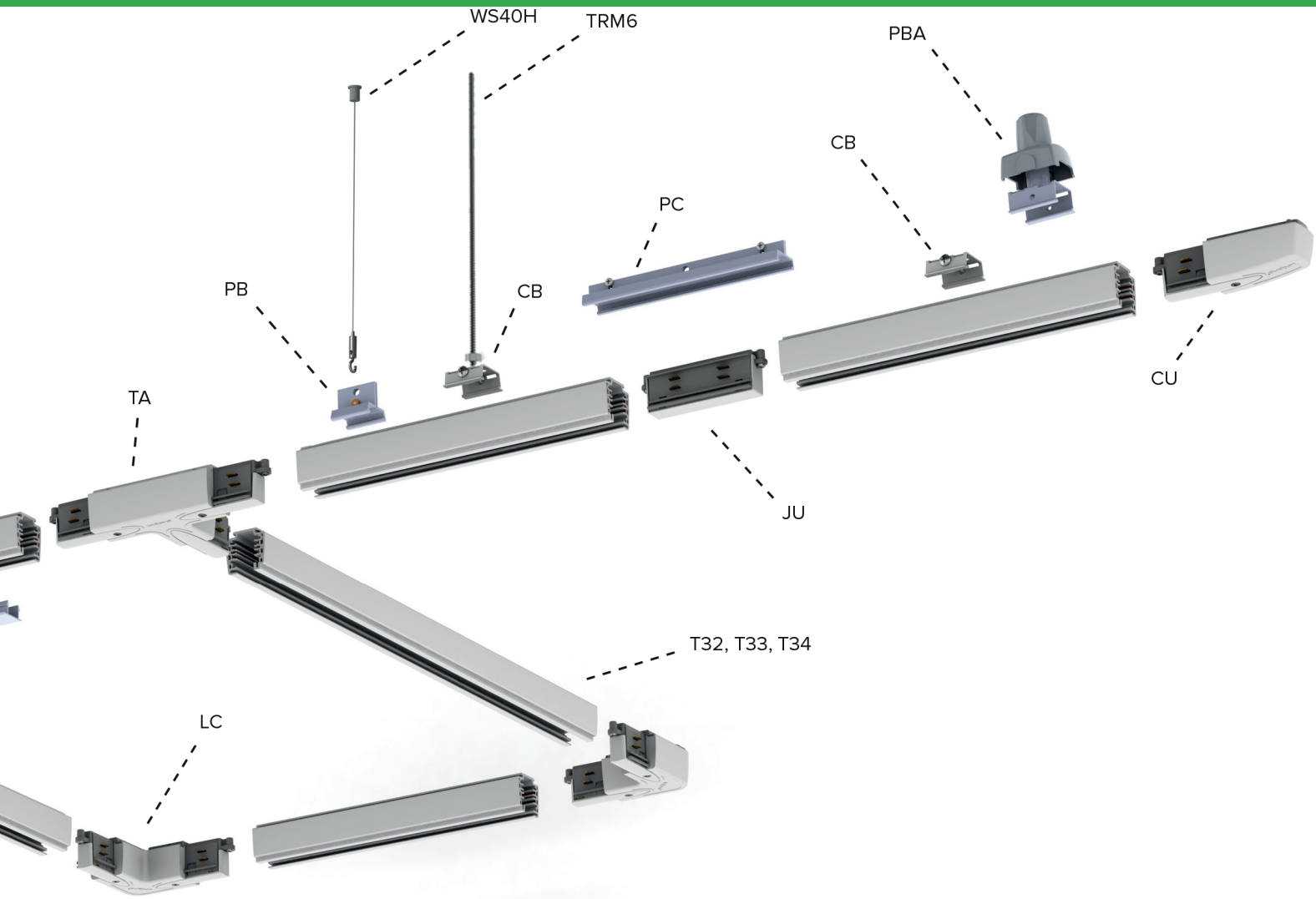
Less parts – more functions

unipro® lighting track system includes some multifunctional parts. The polarity of L-corners and the colour of jointing units can be changed on-site.





Product	Name	Page
T32, T33, T34	Surface lighting track	7
T32F, T33F, T34F	Recessed lighting track	7
A100	Power take-off adapter	9
A75	Adapters for lighting fixtures	14
ALC3	Adjustable corner	9
CB3	Ceiling bracket	10
CBC	Ceiling bracket with cup	10
CP3	Cover plate	12
CS3	Cover stripe	12
CU3	Connection unit	8
EC3	End piece	10
ENM6	Extension nut for TRM6	11
JU3	Jointing unit	8
LC3	L-corner	8



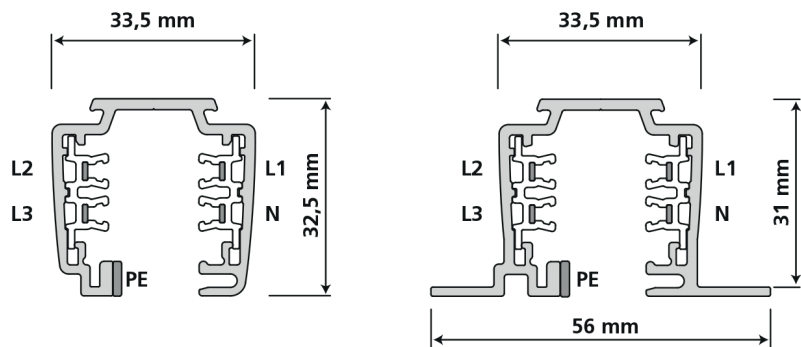
Product	Name	Page
MCU3	Middle connection unit	8
PB	Pendant bracket	10
PBA	Adjustable pendant bracket	10
PC	Pendant coupler	10
SC	Suspension clamp	11
SH	Suspension hook	11
TA3	T-piece	9
TFRW	Protective tube for TRM6	11
TRM6	Threaded rod M6	11
WB	Wall bracket	11
WS	Wire suspension set	11
XA3	X-piece	9

Technical specifications

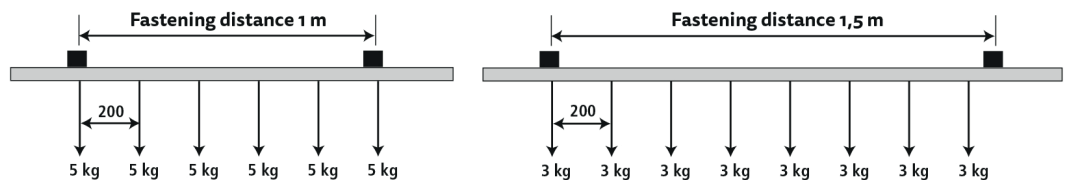
Material	Track's frame material is extruded aluminium. Insulation profiles inside frame are plastic. Phase and neutral conductors are 2,5 mm ² rectangular copper, earth contact is cutted on aluminium frame. Plastic accessories material is self-extinguishing polycarbonate class V0. Surface treatment alternatives are powder coating on white RAL9010, grey RAL7040 or black RAL9005 and anodizing. Other RAL colours and treatments are available to order.
Conductors	Three phase conductor (L1, L2, L3), neutral (N) and ground (PE)
Protection class	CLASS I IP20
Other	Can be cut to length on-site. There is no need to bend or tool power conductors after cutting.
Quality and safety	Tested according to EN 60570 and EN 60598.



Profile dimensions

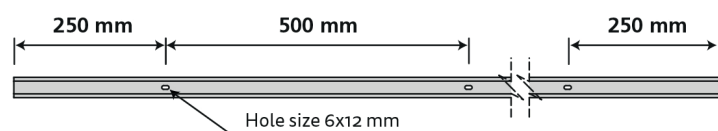


Loading capacity



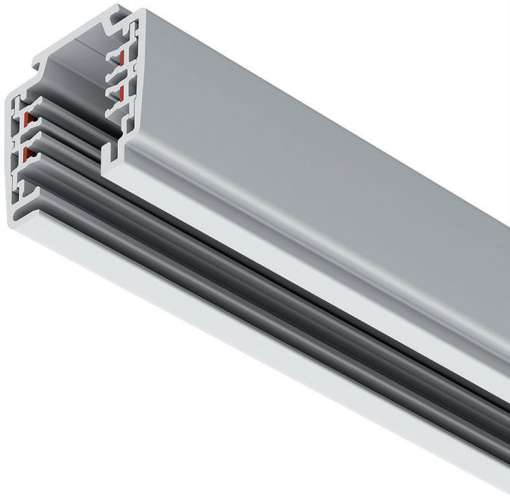
Mounting holes

Pre-drilled holes on the top of track



3-circuit surface tracks

16 A 250/400 VAC 50 Hz CLASS I IP20



Code	Type	Product name
1459102	T32W	3-circuit lighting track, white, 2 meters (surface)
1459103	T33W	3-circuit lighting track, white, 3 meters (surface)
1459104	T34W	3-circuit lighting track, white, 4 meters (surface)
1459232	T32G	3-circuit lighting track, grey, 2 meters (surface)
1459233	T33G	3-circuit lighting track, grey, 3 meters (surface)
1459234	T34G	3-circuit lighting track, grey, 4 meters (surface)
1459302	T32B	3-circuit lighting track, black, 2 meters (surface)
1459303	T33B	3-circuit lighting track, black, 3 meters (surface)
1459304	T34B	3-circuit lighting track, black, 4 meters (surface)
1459202	T32AD	3-circuit lighting track, anodized, 2 meters (surface)
1459203	T33AD	3-circuit lighting track, anodized, 3 meters (surface)
1459304	T34AD	3-circuit lighting track, anodized, 4 meters (surface)

3-circuit recessed tracks

16 A 250/400 VAC 50 Hz CLASS I IP20



Code	Type	Product name
1459112	T32FW	3-circuit lighting track, white, 2 meters (recessed)
1459113	T33FW	3-circuit lighting track, white, 3 meters (recessed)
1459114	T34FW	3-circuit lighting track, white, 4 meters (recessed)
1459182	T32FG	3-circuit lighting track, grey, 2 meters (recessed)
1459183	T33FG	3-circuit lighting track, grey, 3 meters (recessed)
1459184	T34FG	3-circuit lighting track, grey, 4 meters (recessed)
1459312	T32FB	3-circuit lighting track, black, 2 meters (recessed)
1459313	T33FB	3-circuit lighting track, black, 3 meters (recessed)
1459314	T34FB	3-circuit lighting track, black, 4 meters (recessed)
1459212	T32FAD	3-circuit lighting track, anodized, 2 meters (recessed)
1459213	T33FAD	3-circuit lighting track, anodized, 3 meters (recessed)
1459314	T34FAD	3-circuit lighting track, anodized, 4 meters (recessed)

3-circuit colored tracks

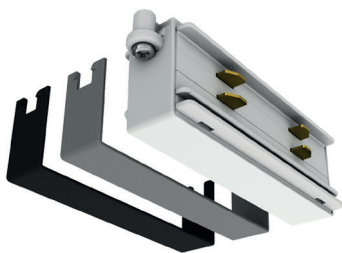
Painted (RAL colors) and covered (Decoral)



Code	Type	Product name
1459142	T32S	3-circuit lighting track, special RAL, 2 meters (surface)
1459143	T33S	3-circuit lighting track, special RAL, 3 meters (surface)
1459144	T34S	3-circuit lighting track, special RAL, 4 meters (surface)
1459132	T32D	3-circuit lighting track, decoral, 2 meters (surface)
1459133	T33D	3-circuit lighting track, decoral, 3 meters (surface)
1459134	T34D	3-circuit lighting track, decoral, 4 meters (surface)
1459172	T32FS	3-circuit lighting track, special RAL, 2 meters (recessed)
1459173	T33FS	3-circuit lighting track, special RAL, 3 meters (recessed)
1459174	T34FS	3-circuit lighting track, special RAL, 4 meters (recessed)

Joining unit

Joint for all unipro® tracks.



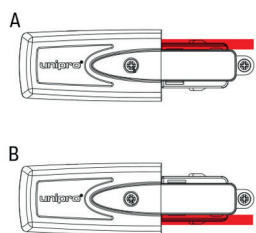
Code	Type	Product name
1459199	JU3	Joining unit

The product package includes also grey and black covers.

Alternative cover can be installed by pressing it on top of the white one.

Connection unit

Terminals for stranded or solid wires. Cable size 3x1,5 mm² - 5x2,5 mm².



Code	Type	Product name
1459121	CU3AW	Connection unit, white (Grounding A)
1459122	CU3BW	Connection unit, white (Grounding B)
1459221	CU3AG	Connection unit, grey (Grounding A)
1459222	CU3BG	Connection unit, grey (Grounding B)
1459321	CU3AB	Connection unit, black (Grounding A)
1459322	CU3BB	Connection unit, black (Grounding B)

Middle connection unit

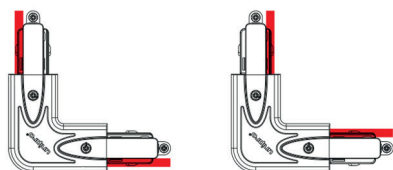
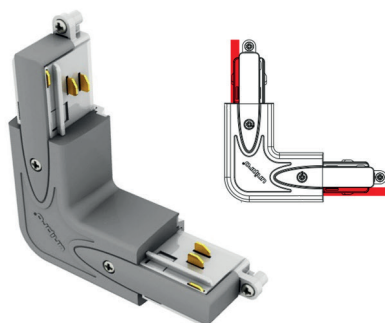
Power supply option. Terminals for stranded or solid wires. Cable size 3x1,5 mm² - 5x2,5 mm².



Code	Type	Product name
1459131	MCU3W	Middle connection unit, white
1459231	MCU3G	Middle connection unit, grey
1459331	MCU3B	Middle connection unit, black

L-corner

Power supply option. Terminals for stranded or solid wires. Cable size 3x1,5 mm² - 5x2,5 mm². Grounding can be changed on-site. Grounding can be changed by screwing off the cover, twisting the body 180° and then screwing the cover back.



Code	Type	Product name
1459141	LC3W	L-corner, white
1459241	LC3G	L-corner, grey
1459341	LC3B	L-corner, black

Adjustable corner

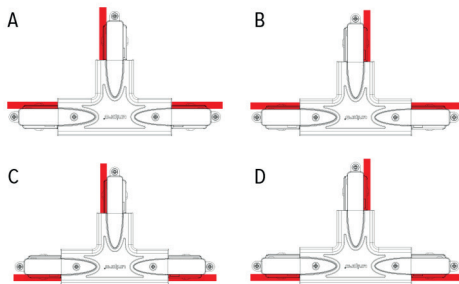
Horizontal adjustment range 0 ± 120°.



Code	Type	Product name
1459151	ALC3W	Adjustable corner, white
1459251	ALC3G	Adjustable corner, grey
1459351	ALC3B	Adjustable corner, black

T-piece

Power supply option. Terminals for stranded or solid wires. Cable size 3x1,5 mm² - 5x2,5 mm².



Code	Type	Product name
1459161	TA3AW	T-piece, white (Grounding A)
1459162	TA3BW	T-piece, white (Grounding B)
1459163	TA3CW	T-piece, white (Grounding C)
1459164	TA3DW	T-piece, white (Grounding D)
1459261	TA3AG	T-piece, grey (Grounding A)
1459262	TA3BG	T-piece, grey (Grounding B)
1459263	TA3CG	T-piece, grey (Grounding C)
1459264	TA3DG	T-piece, grey (Grounding D)
1459361	TA3AB	T-piece, black (Grounding A)
1459362	TA3BB	T-piece, black (Grounding B)
1459363	TA3CB	T-piece, black (Grounding C)
1459364	TA3DB	T-piece, black (Grounding D)

X-piece

Power supply option. Terminals for stranded or solid wires. Cable size 3x1,5 mm² - 5x2,5 mm².



Code	Type	Product name
1459171	XA3W	X-piece, white
1459172	XA3G	X-piece, grey
1459173	XA3B	X-piece, black

Power take-off adapter

unipro[®] A100 adapter are used for connecting 1- and 3-phase devices or lighting fixtures to unipro[®] lighting tracks.



Code	Type	Product name
1459011	A100W	Power take-off adapter, white
1459012	A100G	Power take-off adapter, grey
1459013	A100B	Power take-off adapter, black

Features	
Rated value	16A, 250/400 VAC, 50Hz
Protection class	I IP20
Connecting wire	3x1,5 mm ² - 5x2,5 mm ²
Pull strength	100N
Housing material	Self-extinguishing polycarbonate class V0
Quality and safety	Tested according to EN60570 and EN60598

End cap

Plastic.



Code	Type	Product name
1459181	EC3W	End cap, white
1459281	EC3G	End cap, grey
1459381	EC3B	End cap, black

Ceiling bracket

Steel, can be used with WS15, WS40, WS60 and TRM6.



Code	Type	Product name
1459401	CB3W	Ceiling bracket, white
1459402	CB3G	Ceiling bracket, grey
1459403	CB3B	Ceiling bracket, black

Pendant bracket

Steel, can be used with WS40H or with wires only.



Code	Type	Product name
1459407	PB W	Pendant bracket, white
1459408	PB G	Pendant bracket, grey
1459409	PB B	Pendant bracket, black

Adjustable bracket

Adjustment range 0-30mm. Can be used with threaded rod TRM6.



Code	Type	Product name
1454904	PBA W	Adjustable brackets, white
1454905	PBA G	Adjustable brackets, grey
1454906	PBA B	Adjustable brackets, black

Pendant coupler

Steel. Recommended to be used for suspension at the point of joint when two tracks are connected with JU3.



Code	Type	Product name
1459431	PC W	Pendant coupler, white
1459432	PC G	Pendant coupler, grey
1459433	PC B	Pendant coupler, black

Ceiling bracket with cup

Can be used with all WS wire suspension sets and threaded rod TRM6.



Code	Type	Product name
1459434	CBC W	Ceiling bracket with cup, white
1459435	CBC B	Ceiling bracket with cup, black

Quick ceiling bracket

Can be used with all WS15, WS40 and WS60 wire suspension sets and threaded rod TRM6.



Code	Type	Product name
1459100	QC3G	Quick ceiling bracket

Wire suspension set

Adjustable wire sets - WS for CB3 and QC3 brackets, WS40H for PB and PC brackets.

WS15...WS60



WS40H



Code	Type	Product name
1459410	WS15	Adjustable wire suspension set, length 1,5m
1459411	WS40	Adjustable wire suspension set, length 4,0m
1459412	WS60	Adjustable wire suspension set, length 6,0m
1459414	WS40H	Adjustable wire suspension set with hook, length 4,0m

Wall bracket

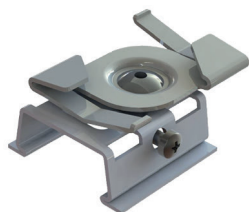
Steel, recommended to be used with CB3 brackets



Code	Type	Product name
1459436	WB W	Wall bracket, white
1459437	WB B	Wall bracket, black

Ceiling bracket for T-Bar

Steel, can be mounted directly to 24mm T-Bar



Code	Type	Product name
1459451	CB3W T-BAR	Ceiling bracket for T-Bar, white
1459452	CB3G T-BAR	Ceiling bracket for T-Bar, grey
1459453	CB3B T-BAR	Ceiling bracket for T-Bar, black

Suspension clamp and hook

SH



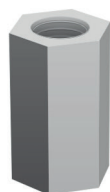
SC3



Code	Type	Product name
1459440	SC3 W	Suspension clamp, white
1459441	SC3 G	Suspension clamp, grey
1459442	SC3 B	Suspension clamp, black
1459443	SH	Suspension hook

Other suspension accessories

ENM6



TFRW



Code	Type	Product name
1459420	TRM6	Threaded rod M6, length 1,0m
1459425	ENM6	Extension nut for TRM6
1459426	TFRW	Protection tube for TRM6, white
1459427	NM6	Electro galvanised nut for TRM6

Cover plate

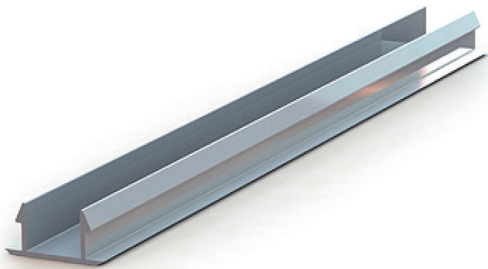
Plastic cover plate for accessories used on recessed tracks, such as CU- and MCU-connectors, L-, T-, and X-pieces.



Code	Type	Product name
1459191	CP3W	Cover palte, white
1459291	CP3G	Cover palte, grey
1459391	CP3B	Cover palte, black

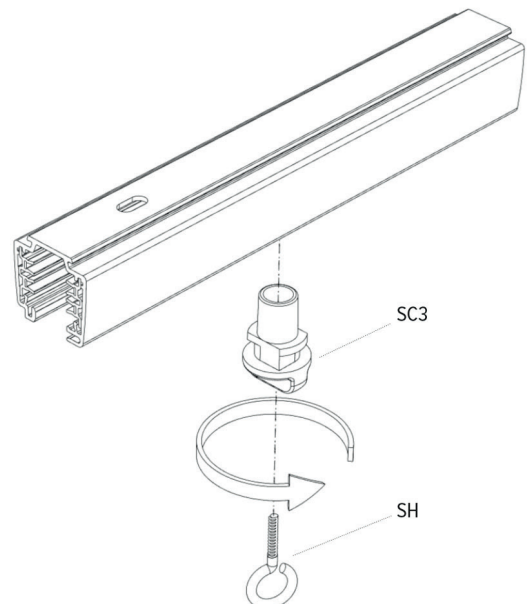
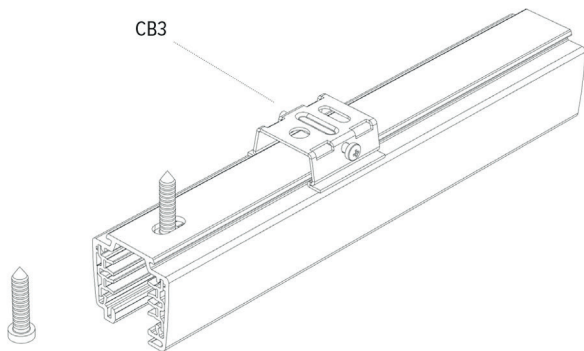
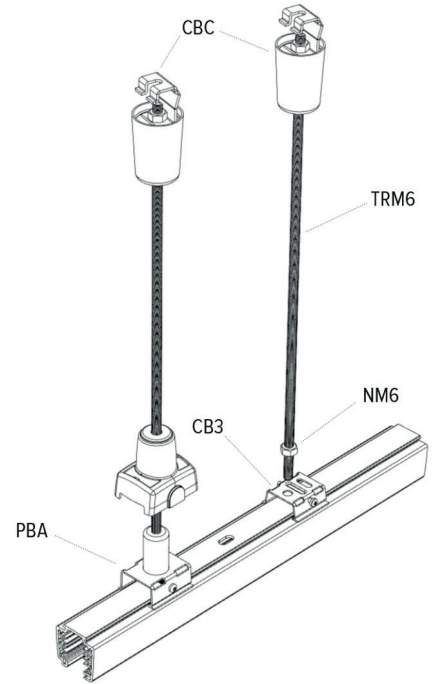
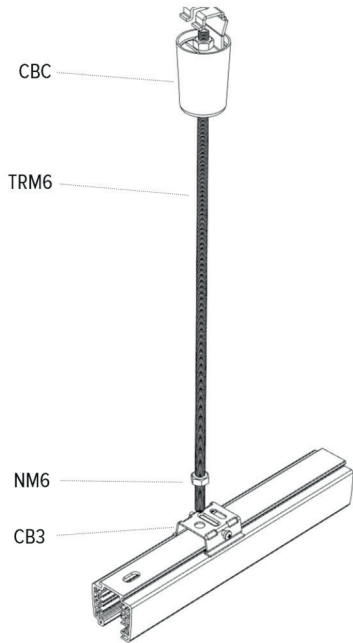
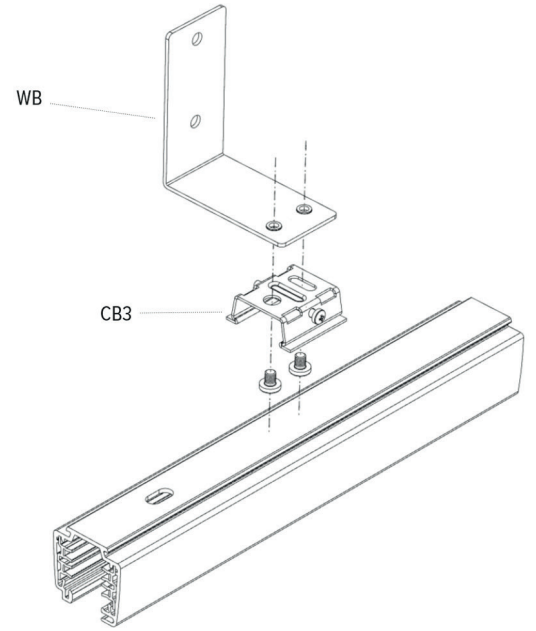
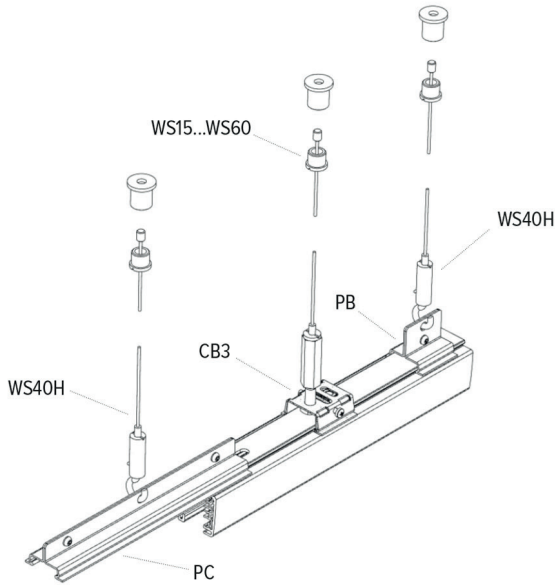
Cover strip

Plastic cover strip for unipro[®] lighting tracks.



Code	Type	Product name
1459444	CS3 W	Cover strip, white
1459445	CS3 B	Cover strip, black





Adapter

Rated value 6A, 250V. Maximum loading capacity 50N (5kg) /adapter. (70N with L70 locker)



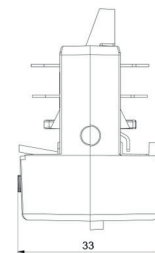
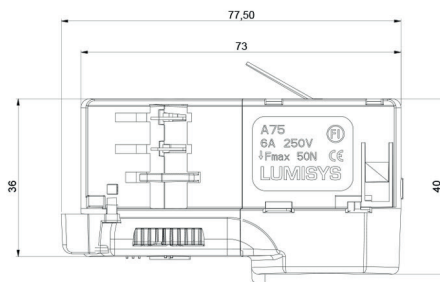
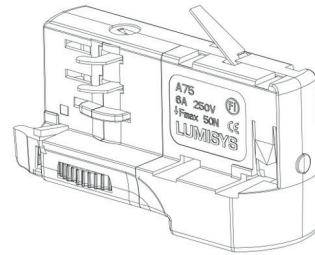
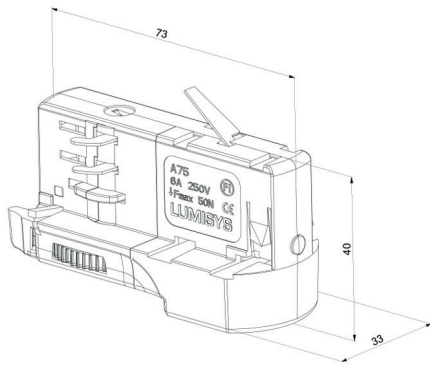
Code	Type	Product name
1459014	A75W	A75 adapter, white
1459016	A75G	A75 adapter, grey
1459015	A75B	A75 adapter, black

Features	
Rated value	6A, 250V
Protection class	I IP20
Connecting wire	0,5 mm ² - 1,0 mm ²
Pull strength	50N, with locker 70N
Housing material	Self-extinguishing polycarbonate class V0
Quality and safety	Tested according to EN60570 and EN60598

unipro[®] A75 adapters are used mainly with spot lighting fixtures. Adapters are universal and compatible with the most common 3-circuit lighting tracks. They have a phase selection and mechanical fixing knob.

Wires are easily connected by pressing them into the connectors using the **unipro**[®]-T1L installation tool. The slot connection does not require screws nor stripping of wires.





Locker for A75 adapter



Code	Type	Product name
1459004	L70W	Locker, white
1459005	L70G	Locker, grey
1459006	L70B	Locker, black

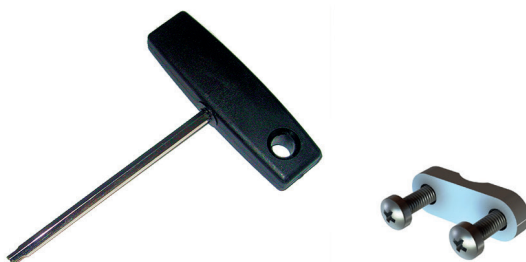
Nipple

Aluminium, rotation 360°



Code	Type	Product name
1459091	ALN10R8	AL-nippel M10, rotating, thread length 8mm
1459091	ALN10R12	AL-nippel M10, rotating, thread length 12mm
1459428	NM10	Counter nut for AL-nippel

Other accessories

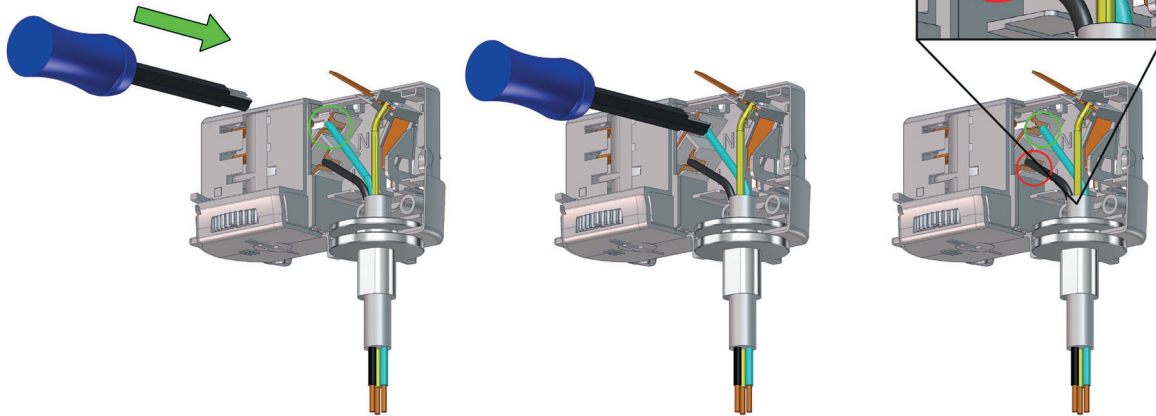


Code	Type	Product name
1459099	T1L	installation tool
1459010	CC70	Cable clamp

Installation instructions for unipro[®] A75 adapter

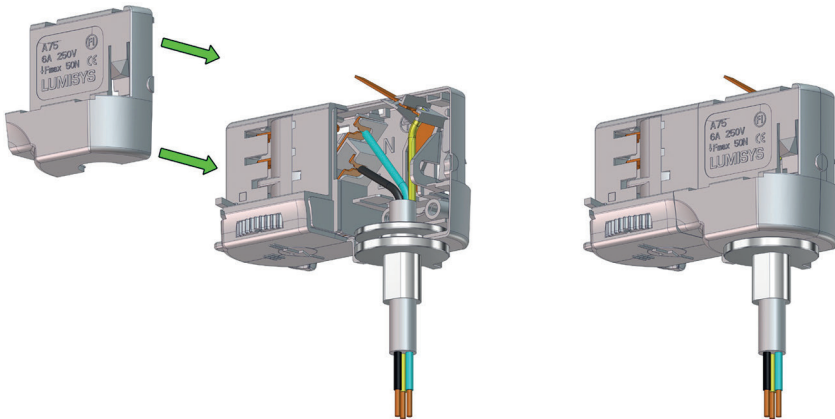
1. Press conductors to connectors using unipro[®] T1L -tool (page 10)

Conductors must be pressed to bottom of slot in the connector to ensure reliable contact
Conductor size 0,5 - 1,0 mm²



2. Check that conductors are properly installed and assemble lid by pressing it to adapter body

Lid cannot be removed after assembly



3. Installing unipro[®] L70 locker

Remove the locker hole cover from the lid and adapter body
Place the locker to its position in the adapter body
Carefully press the lid to adapter body

ATTENTION!

unipro[®] adapter must not be used with any type of solvent, adhesives, greases, oils, cleaning chemicals, etc.

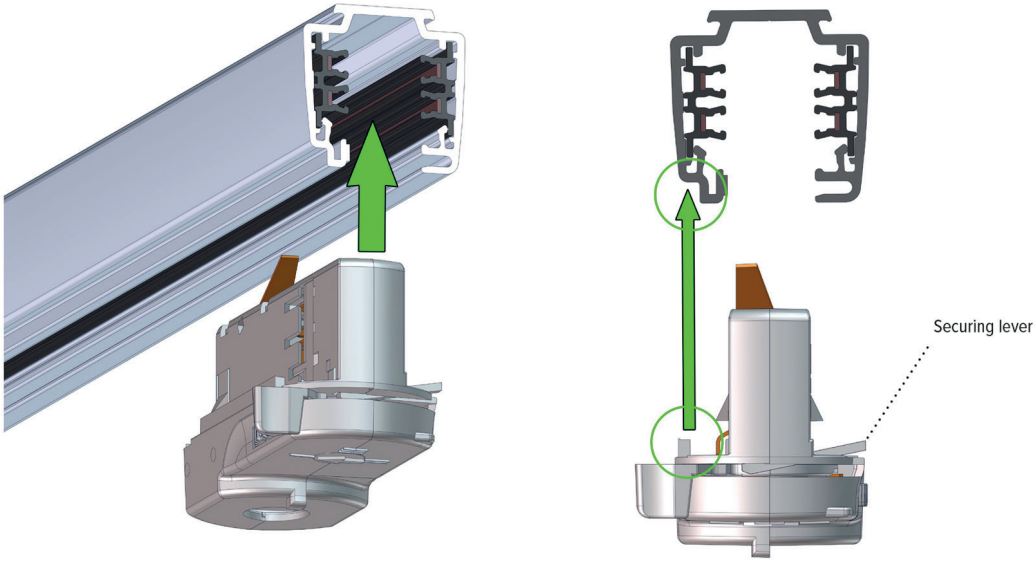
Compatible nipples for the adapter are unipro[®] ALN10R8 ja ALN10R12



unipro[®] A75 adapter installation to 3-circuit track

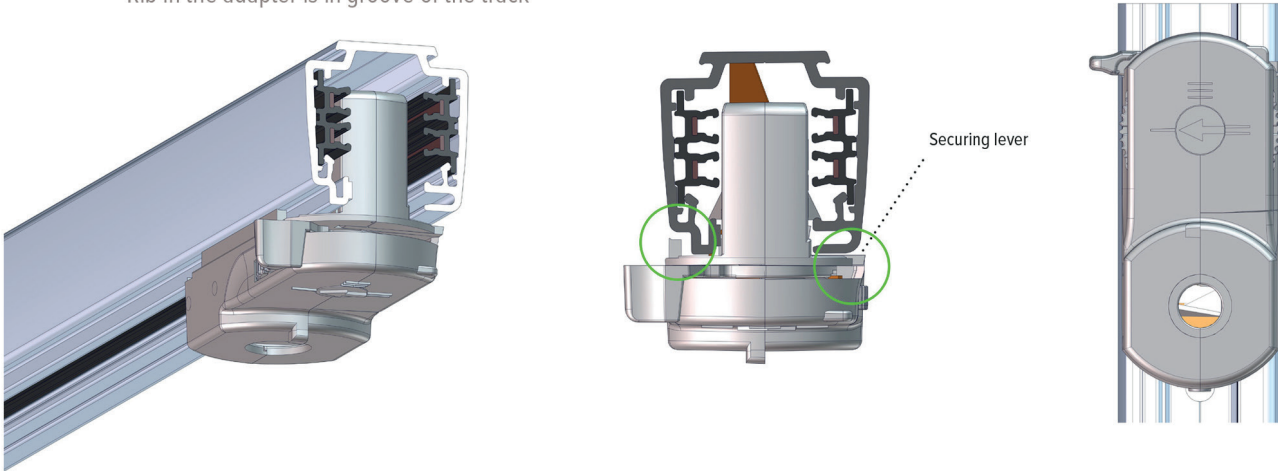
1. Check that adapter orientation is correct

Rib in the adapter is on the same side as groove in the track



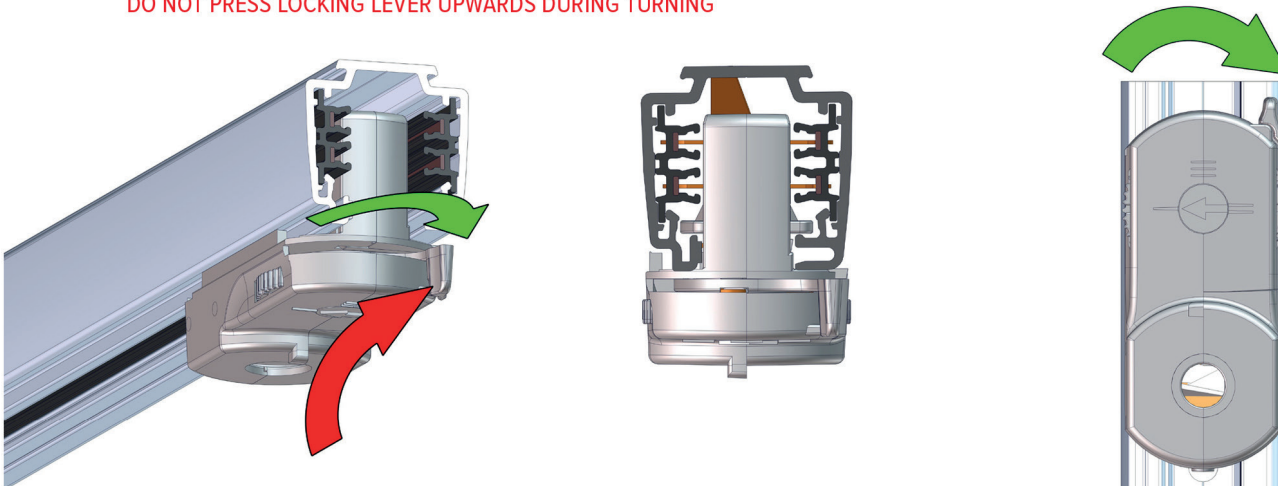
2. Press adapter against track

Check that securing lever is fully pressed against track
Rib in the adapter is in groove of the track



3. Turn locking lever to lock adapter to track

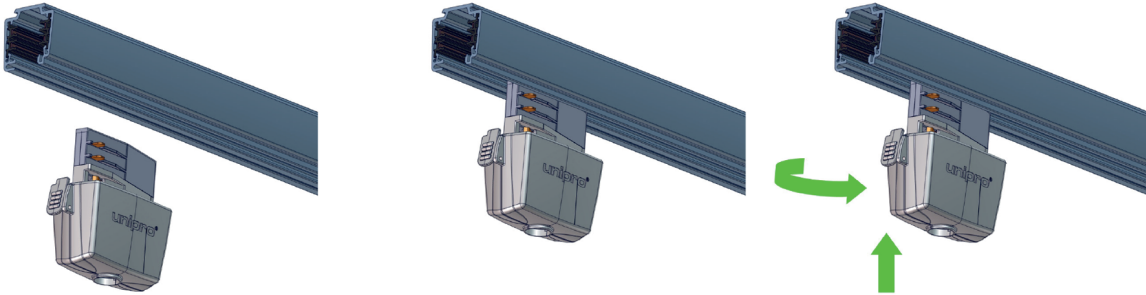
Locking lever is parallel to track when adapter is locked
DO NOT PRESS LOCKING LEVER UPWARDS DURING TURNING



unipro[®] A100-power take-off adapter fastening

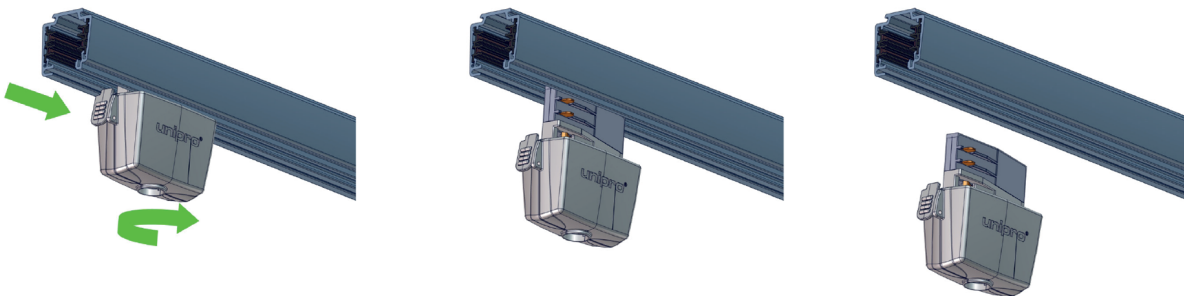
1. Fastening power take-off adapter to track

Press the adapter into track and turn clockwise to lock it.



2. Releasing power take-off adapter from track

Push the locking lever and turn counterclockwise to release the adapter from track.





Caleidoscope[®]
ENERGY EFFICIENT RETAIL LIGHTING SOLUTIONS

Caleidoscope Systems AB
Östra Sandgatan 14
252 27 Helsingborg
Tel 042 - 311 18 10
Email sales@caleidoscope.se
Internet www.caleidoscope.se