



ultraBEAM LED G3

A very powerful and extremely high efficient LED lighting for general lighting with two LED strips and double parabolic reflector.

Adapted for installation in grid ceiling with beam dimensions of 80x100 mm c/c 2,0 m.

Available with narrow or medium reflectors for optimal light distribution.

7-years LED and driver warranty.

Material

Colour temp [K]

Design LED life

Driver lifetime

Max lumen out / watt

CRI

Initial MacAdam

Lumen range

Nominal Voltage

Form protection

Weight

Connection

Powder painted steel

3000 / 3500 K or 4000 K

L90 50 000 h (T_a 25°)

100 000 h

140 lm/W

+80

3 SDCM

5 248 - 5 525 lm

230/240 V, 50 Hz

IP 20, Class I, CE-approved

2,7 kg

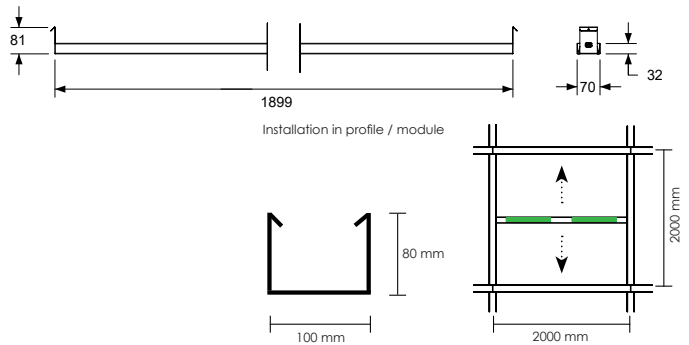
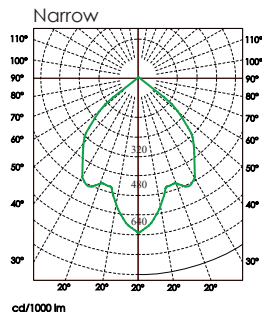
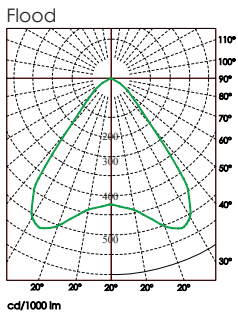
3,5 m cable with 2-pin plug on

separate driver

On request

Dail

Dimensions [mm]



Item No.	Description	Reflector /Beam	Painting colour	Energy consumption	Lumen output	EEC	Colour temperature, CRI	Amount/Fuse 16 A C-type	Amount/Fuse 10 A C-type
150130 830 10 15	ultraBEAM LED G3, 830, White, F2x2	Flood	White	Select driver *	See selected driver	A++	3000 K, CRI > 80	26	16
150130 835 10 15	ultraBEAM LED G3, 835, White, F2x2	Flood	White	Select driver *	See selected driver	A++	3500 K, CRI > 80	26	16
150130 840 10 15	ultraBEAM LED G3, 840, White, F2x2	Flood	White	Select driver *	See selected driver	A++	4000 K, CRI > 80	26	16
150130 830 20 15	ultraBEAM LED G3, 830, White, F2x2	Narrow	White	Select driver *	See selected driver	A++	3000 K, CRI > 80	26	16
150130 835 20 15	ultraBEAM LED G3, 835, White, F2x2	Narrow	White	Select driver *	See selected driver	A++	3500 K, CRI > 80	26	16
150130 840 20 15	ultraBEAM LED G3, 840, White, F2x2	Narrow	White	Select driver *	See selected driver	A++	4000 K, CRI > 80	26	16
161005 900	LED Driver 900 mA, 3,5 m cable and plug			27 W	3800 lm				
161005 1050	LED Driver 1050 mA, 3,5 m cable and plug			30 W	4 300 lm				
161005 1200	LED Driver 1200 mA, 3,5 m cable and plug			35 W	5000 lm				
161005 1300	LED Driver 1300 mA, 3,5 m cable and plug			39 W	5300 lm				
161005 1400	LED Driver 1400 mA, 3,5 m cable and plug			41 W	5 700 lm				
161005 1500	LED Driver 1500 mA, 3,5 m cable and plug			45 W	6 000 lm				
161005 1700	LED Driver 1700 mA, 3,5 m cable and plug			50 W	6 700 lm				
161005 1800-G2	LED Driver 1800 mA, 3,5 m cable and plug			55 W	7 250 lm				
161005 2000	LED Driver 2000 mA, 3,5 m cable and plug			64 W	8 100 lm				

Caleidoscope