

# smartLED™ Edge

LED-spotlight with unique patentpending fixing for functional ceiling systems.

The LED driver is designed for easy placement inside Kaleidoscope grid channels. Three (3) spotlights can be connected to one (1) LED driver with the included 3,0 meter cable system.

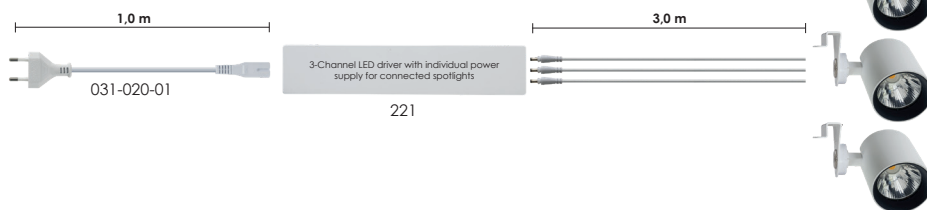
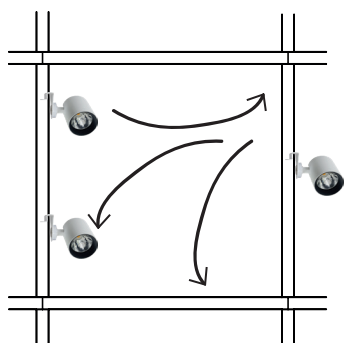
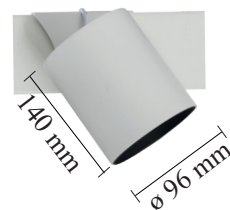
The spotlight is attached by a combination of strong neodymium magnets with permanent traction and a "hook-on" edge for easy attachment to the grid profile.

## Material

**Color temp [K]**  
**Design LED life**  
**CRI**  
**Lumen**  
**Initial MacAdam**  
**Nominal Voltage**  
**Form protection**  
**Weight**  
**Colors**

Die-cast aluminium and plastic housing  
 3500 K  
 L90 50 000 h (T<sub>a</sub> 25°)  
 90  
 2950 lm  
 2 SDCM  
 230/240 V, 50/60 Hz  
 IP 20. Class III. CE-approved  
 0,65 kg (spot) + 0,35 kg (driver)  
 White

## Dimensions



Item No.	Description	Painting colour	Power	Lumen output	Reflector	EEC	LED Colour	Amount/ Fuse 16 A C-type	Amount/ Fuse 16 A B-type
221 3935 20	smartLED White, Medium 20°, 3500 K <i>(3,0 M connection cable included)</i>	White	31 W	2950 lm	20° (Medium)	A+	3500 K	45	27
221 3935 43	smartLED, White, Flood 43°, 3500 K <i>(3,0 M connection cable included)</i>	White	31 W	2950 lm	43° (Flood)	A+	3500 K	45	27
221	smartLED Driver 3x800 mA	White						15	9
031-020-01	Power Cable 1,0 m (2x0,72 mm2) 2 pin EU plug + IEC C7, WHITE	White							
A-3022	2,0 M extension cable for smartLED spotlights. Male/female connectors.	White							

# Caleidoscope