

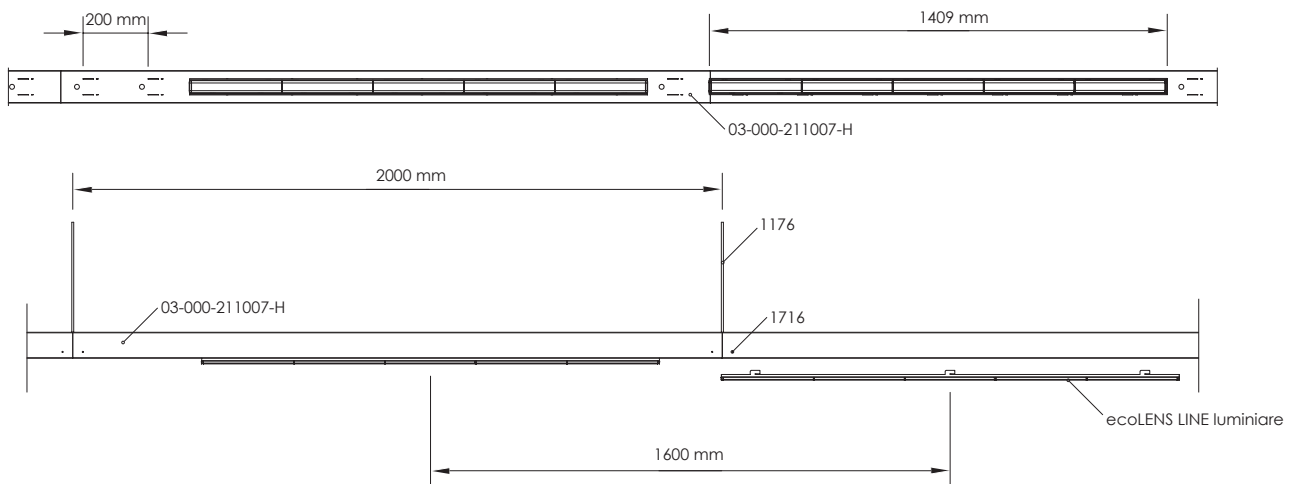
ecoLENS™ LINE 100-80

Linear cable tray system for ecoLENS LINE luminaire. Suitable for warehouse and retail stores.

Easy plug 'n play installation using the csNET power system in combination with the luminaire.

The luminaire is hung below the cable tray profile with pre-punched pitch distance of 200 mm. A modular power supply system (csNET) and LED-drivers is placed inside the cable tray system making system easy and fast to assemble.

Luminaires can be placed at distance from c/c 1600 + 200 mm pitch (1800, 2000 ... 2200 mm +)



Item No.	Description	Painting colour	Dimension	Picture
03-000-21 1007-H	Cable tray L2000 F. ecoLENS	White	L 2000 x H80 x W 100 mm	
03-002-U	Suspension Bracket F. M6	Galvanized		
170703-05 25-20-EU	csNET 4-way socket c/c 2 M	White		
170703-05 25-40-EU	csNET 4-way socket c/c 4 M	White		
*See seperate broschyre for ecoLENS luminaire solutions	ecoLENS LINE Luminaire	White	L1409 x W50 x H20 mm	

Caleidoscope